



REPAIR GUIDE to: ARCHER OPS BOXX DISPENSERS

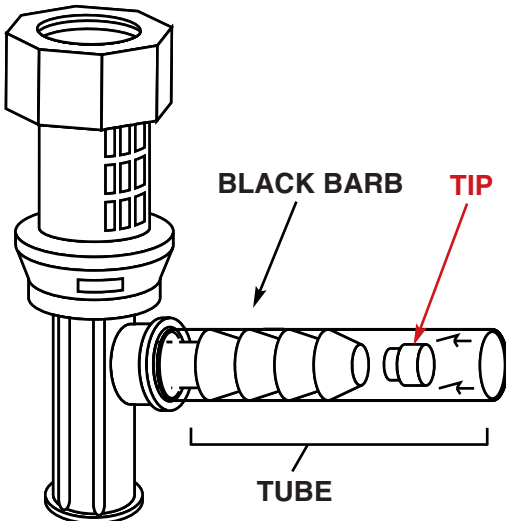
PROBLEM: No chemical is being dispensed and the Keg has product.

1 MINUTE REPAIR:

1. Open dispenser door and follow the chemical supply tube to the black barb. Looking away, remove the tube from the barb with a pulling motion.
2. Remove the colored metering tip by hand or "gently" with pliers. (The Black tip for the Centsable FS may be difficult to see.)
3. Soak the tip in hot water for 30 seconds. Then remove it and blow through opening. If there is a small amount of air that can pass, replace tip and tube. Push the tip firmly until it seats inside the black barb, then slide the tube. If the tip is still clogged or damaged, e-mail your request for the specific replacement part to: info@opsboxx.com. It will usually be sent out ASAP via overnight UPS.

ATTENTION:

- ✓ Do not switch the tips. They are specific for each product.
- ✓ Make certain that the Keg has Product and the Product Cap is secured onto the Keg before doing the repair.
- ✓ Wear gloves and glasses to prevent skin and eye contact during this repair.



FOR NEW OPS SOLO® DISPENSERS ONLY

FOR EASY SERVICE

Remove the 2 wing nuts and disconnect water connection inside dispenser so the valve assembly can be removed from the Dispenser body for Easy Service.